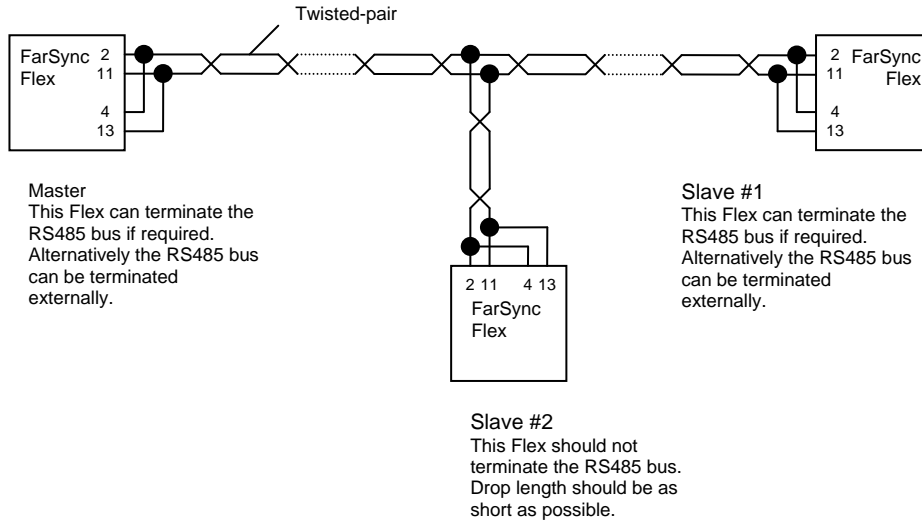


## RS485 Half Duplex – Recommended Wiring

The diagram below illustrates suitable wiring for a FarSync Flex running half duplex RS485.



Simple 2-wire multidrop RS485 network  
Showing FarSync Flex HD26 pin connections TxDa (2), TxDb (11), RxDa (4), RxDb (13)

Note: In addition to the 2 data wires it is worth considering whether to use a shielded cable (Braid/Foil) connected to signal earth. The need for this will depend on the line length, data speed being used and the environment where the wires are routed.